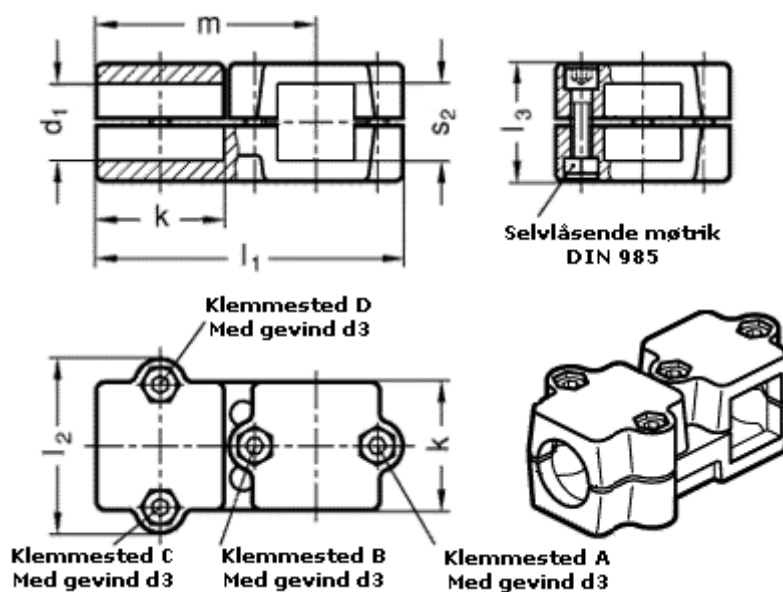


Article number: 20194V45B452SW

Description: E+G

T-angel clamps GN194-V45-B45-2-SW

## Measures



$d_2 = 45$   
 $d_3 = M10$   
 $k = 76$   
 $l_1 = 176$   
 $l_2 = 98$   
 $l_3 = 70$   
 $m = 126$   
 $s_1 = 45$